

Model: VXR-E/EC

Veterinary X-Ray System



T: 1300 658 103

W: mediccloud.com.au



Contents

- 1 Configuration
- 2 System Appearance
- 3 Features
- 4 Specifications
- 5 Room Layouts

Configuration

■ System Model Name: VXR-E/EC

- Generator: 20~40kW, Max.500mA, Built in Generator
- Tube: DXT-8M, DXT-10M, DXT-11M, E7239X, E7242X
- Tube Stand & Table:
 - ✓ SID 1000mm
 - ✓ Tabletop size 1,500mm
 - ✓ Tabletop 2-Way Movement
 - ✓ Foot Level
 - ✓ Touch Console
- Collimator: DXC-RML, LED, Line Laser.
- Exposure Foot Switch



■ Option

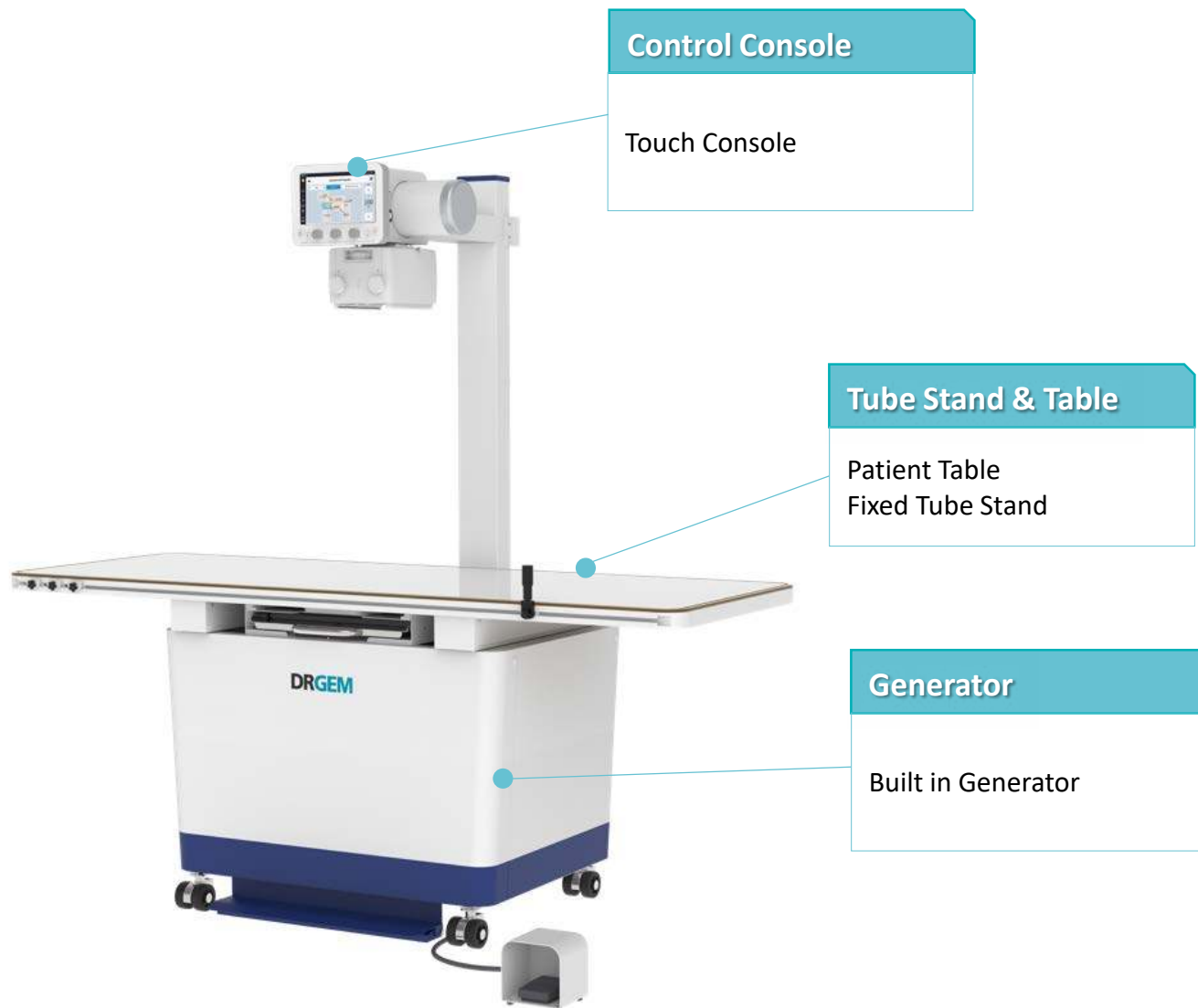
- Tabletop Movement Handgrip, Removable Grid, Urine Trip, Caster, Exposure Foot Switch Cover
- Cassette Tray, Compression belt, Tabletop size 1,200mm, 1800mm, 2,000mm, Tabletop 4way movement
- Built in PC and Touch Monitor (With ACQUIDR System)

2. System Appearance

2

System Appearance

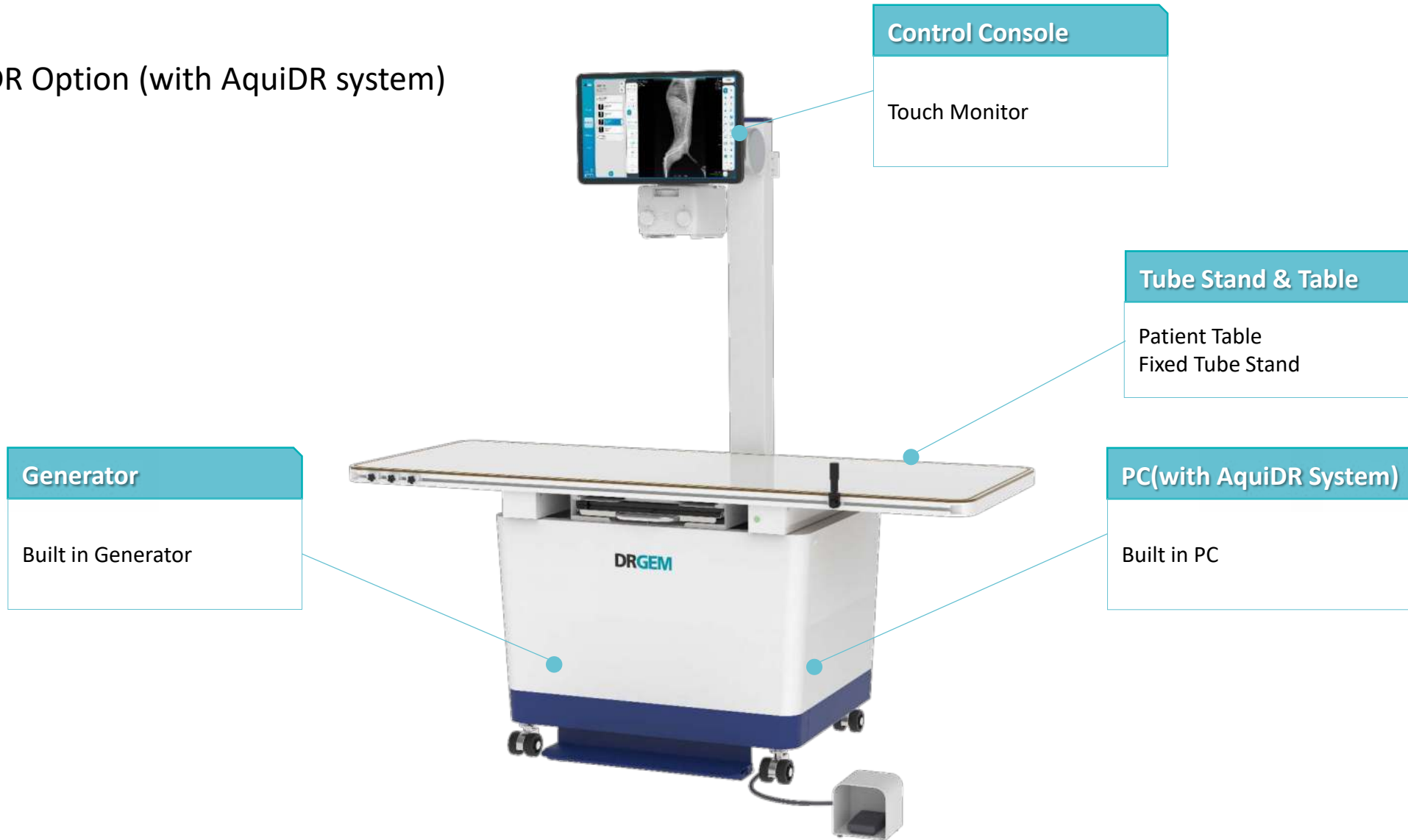
1. Analog System



2

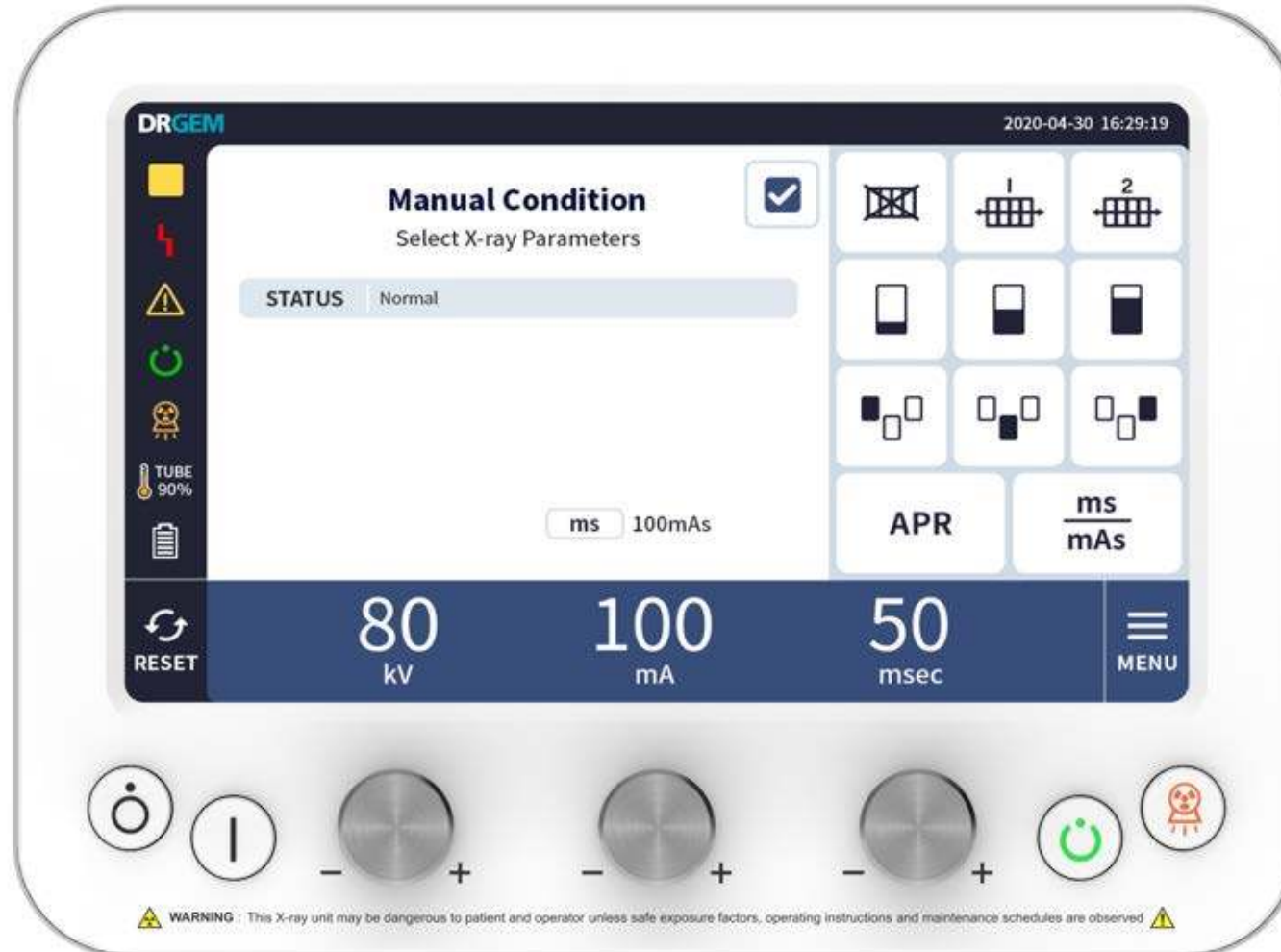
System Appearance

2. DR Option (with AquidR system)



System Appearance

✓ GUI of Touch Console



System Appearance

- ✓ The DR Option able the use of the RADMAX GUI when used with AquIDR System.
- ✓ GUI of RADMAX software on Built in PC



3. Features

For Customer's satisfaction,
DRGEM designed Veterinary system considering

Convenient Workflow

Minimum Installation Space

Features

- **Convenient workflow by optimized design**
 - Simple use of system with essential usage design
 - Hand free use able with foot switch control when holding the patient
 - Collimator lamp & laser activation interlocked with foot switch
 - Control panel viewing angle adjustable
- **Convenient and easy GUI control**
 - Control Panel angle selection able for convenience
 - Generator control, APR control : Touch Screen in Touch Console, RADMAX GUI
- **Minimum Installation Space by compact design**
 - Built in generator design for utilizing space
 - Table Top size selection for compact installation area
- **Intuitive Touch Console and RADMAX GUI**
 - User APR for convenience and high efficiency
 - APR Positioning Guide (Only RADMAX GUI)

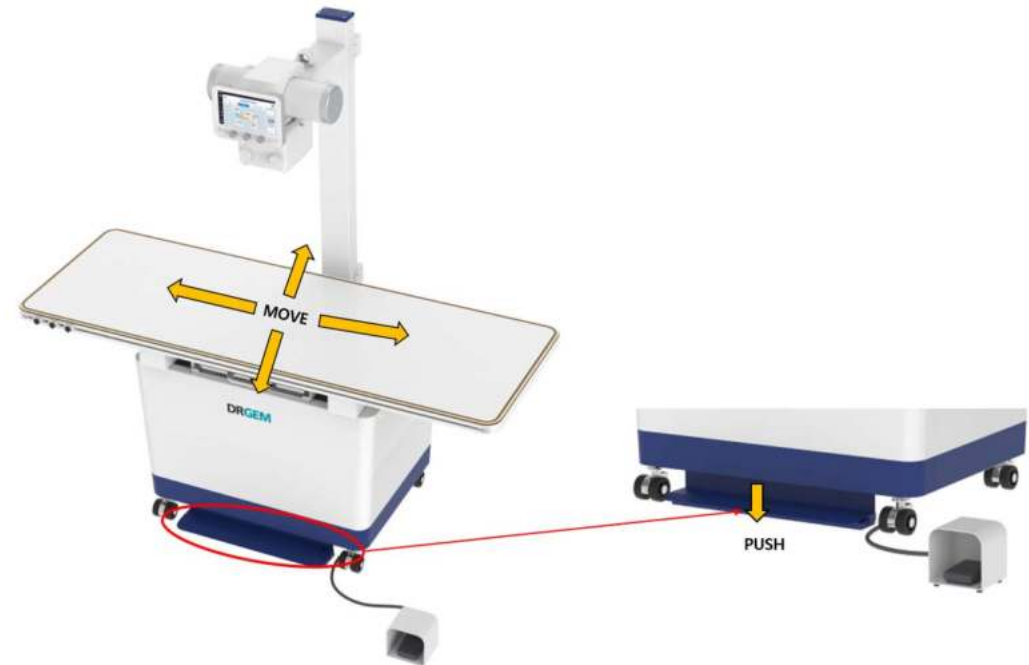
3 Table Top Movement– Tube stand & Table

✓ Foot Switch Operation

- Table Top Movement with foot switch
- 2 way or 4way movement
- Collimator Lamp & Laser activated pressing the foot switch



2 way Option

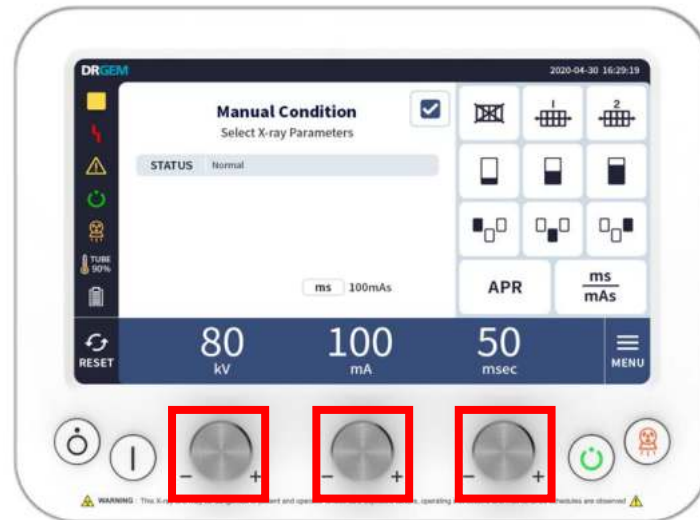


4 way Option

Exposure Control– Tube stand & Table

✓ Exposure control

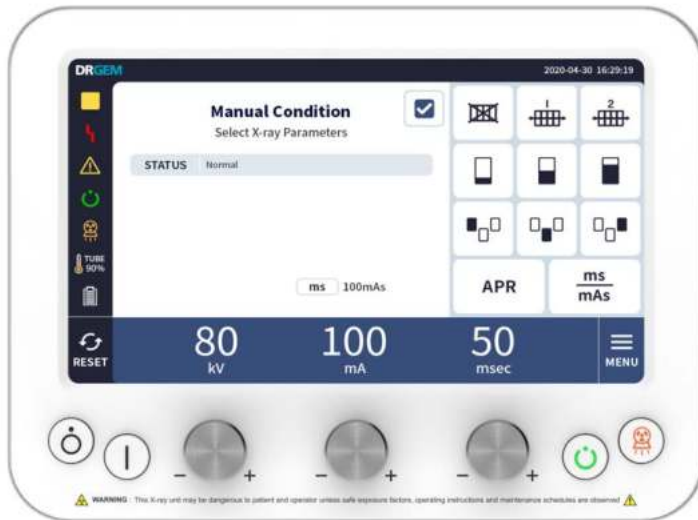
- Control the angle of the control console by adjusting the knob
- Select exposure condition by using the knob on the touch console or by APR selection
- Hand free exposure able with exposure foot switch



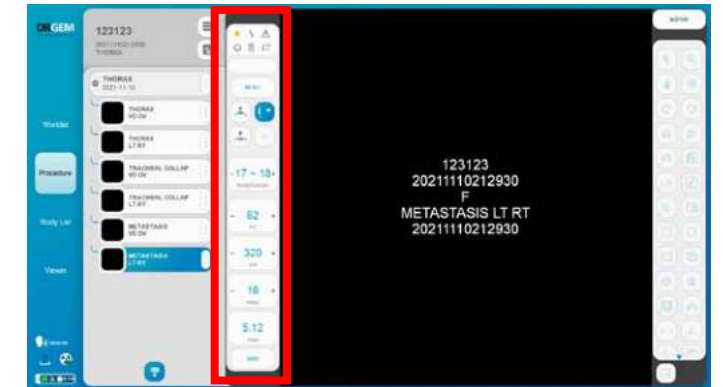
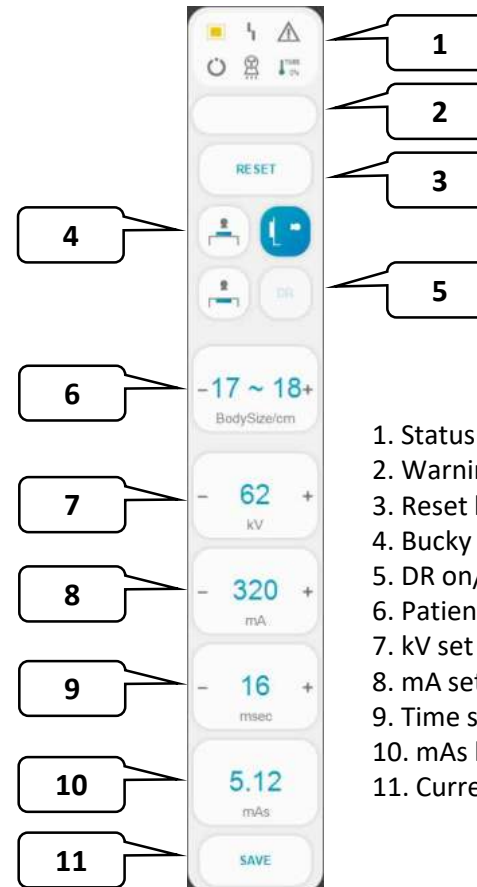
Generator Control

✓ GUI of Touch Screen of Touch Console and RADMAX GUI

- kV, mA, Time, mAs can be controlled at Tube stand as well as controller for convenience and efficiency



Touch Console GUI



RADMAX GUI

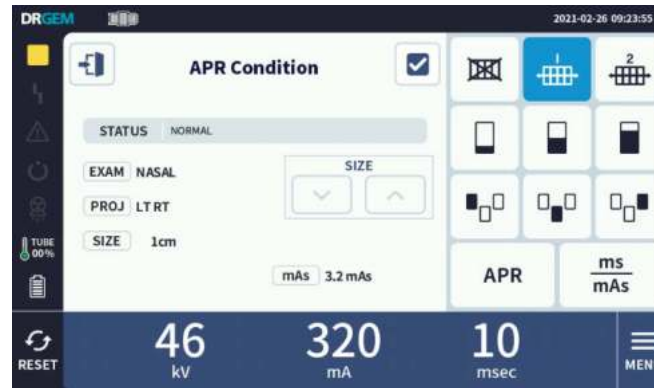
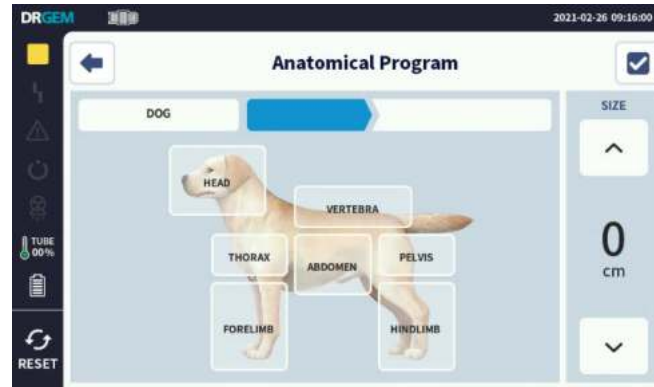
1. Status Indicator
2. Warning, Error Code
3. Reset button
4. Bucky selection button
5. DR on/off button
6. Patient size button
7. kV set button
8. mA set button
9. Time set button
10. mAs button
11. Current condition save

3

Features

User APR

✓ Graphical User APR (Anatomic Programming Radiography) available for intuitive and convenient operation.



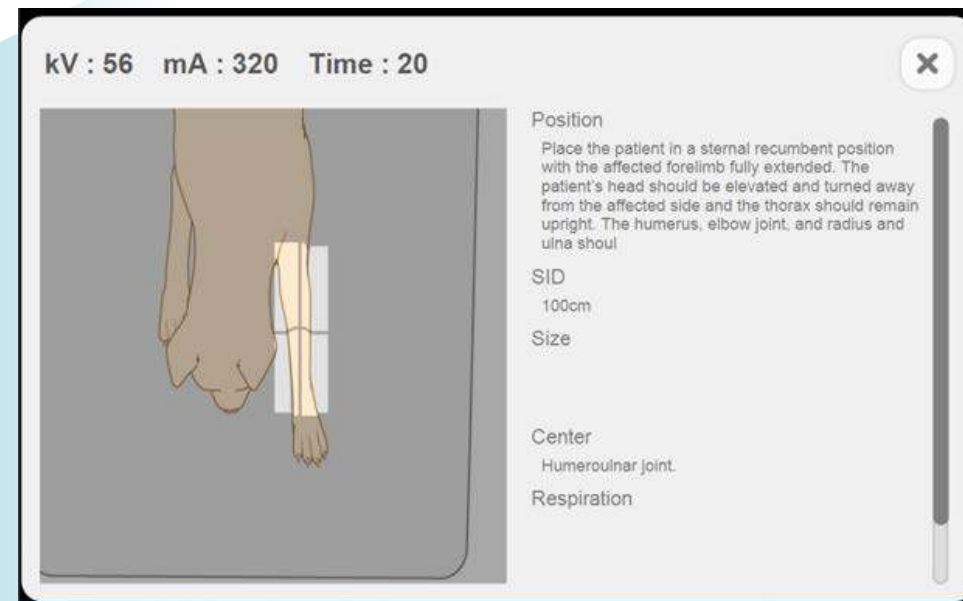
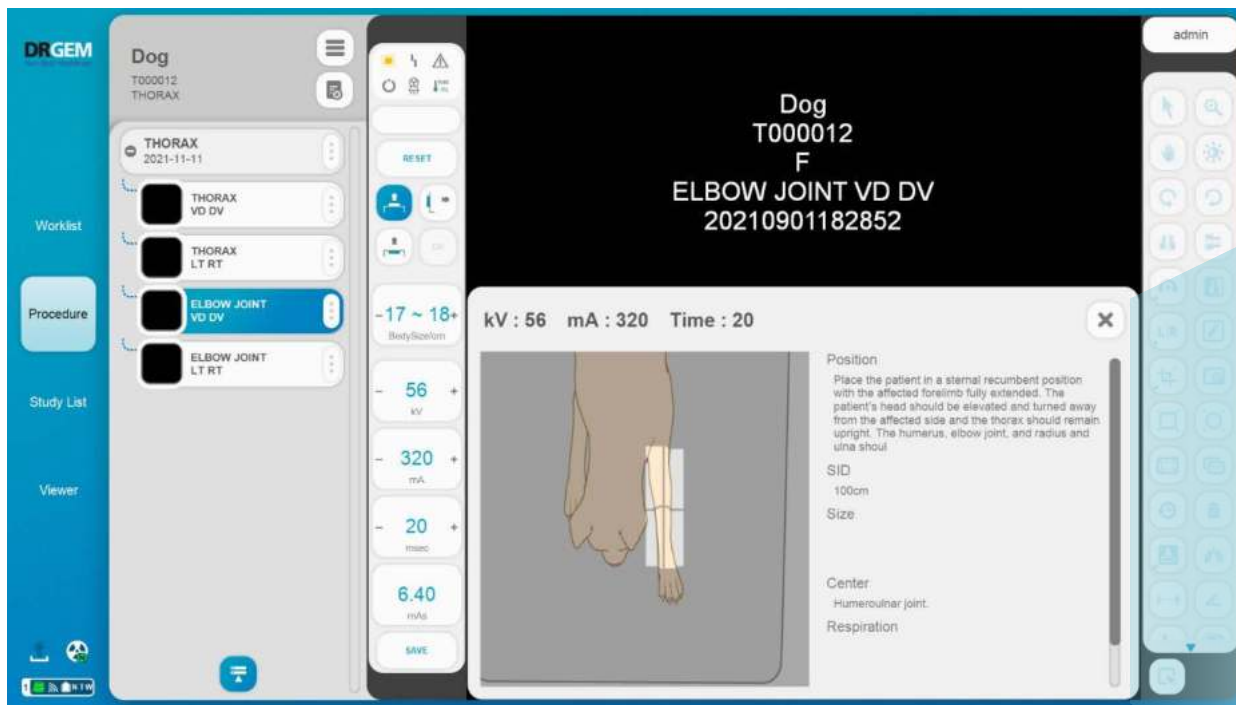
Touch Console GUI

RADMAX GUI

Positioning Guide

✓ For Operator's Convenience

- positioning guide provides operators with vet's position and x-ray technique by intuitive graphical information to get the best image quality for the highest effectiveness of diagnosis.
- The features is useful for training or educational purpose.



4. Specifications

Tube Stand & Table



Model	Tube Stand & Table	
Tabletop Size	1,200(W) x 716(D) x 45(H)mm 1,500(W) x 716(D) x 45(H)mm 1,800(W) x 716(D) x 45(H)mm 2,000(W) x 716(D) x 45(H)mm	
Tabletop Longitudinal Travel	230(±115)mm 530(±265)mm 830(±415)mm 1030(±515)mm	Tabletop 1,200mm Tabletop 1,500mm Tabletop 1,800mm Tabletop 2,000mm
Tabletop Transverse Travel - 4 Way Option	114(±57)mm	
Max. Patient Weight	100kg(220lbs)	
Grid	FD 100cm, 103lpi, Ratio 10:1 Optional Removable Grid	
Lock(Brake)	EM Lock, Foot Switch on/off	
SID	1,000mm	
Electrical Rating	24VDC, 1A	
Option	Tabletop Movement Handgrip, Urine Trip, Caster, Exposure Foot Switch Cover Cassette Tray, Compression belt, Built in PC and Touch Monito (With AcquiDR System)	
Dimension/ Weight (Without Bukcy)	Min. 1,200(W) x 970(D) x 1,881(H)mm/146kg(321.8lbs) Max. 2,000(W) x 970(D) x 2,027(H)mm/218kg(480.6lbs)	

High Frequency X-ray Generator

Generator Model	VXR-E20	VXR-E25	VXR-E32	VXR-E40
Power Rating	20kW	25kW	32kW	40kW
Line Power	200V-240V~ ±10% (Frequency: 50/60Hz)			
kV Range	40~125kV, 1kV step			
mA Range	10 to 250mA	10 to 320mA	10 to 400mA	10 to 500mA
Timer Range	0.001 to 10 sec, 38 steps			
mAs Range	0.1 to 320mAs (Optional 500mAs)			
Max. Power Output	250mA@80kV 200mA@100kV 160mA@125kV	320mA@78kV 250mA@100kV 200mA@125kV	400mA@80kV 320mA@100kV 250mA@125kV	500mA@80kV 400mA@100kV 320mA@125kV
Rotor Supply	Low Speed			
Technique Selection	4 point display(kV, mA, Time, mAs)			
Image Receptors	1 Bucky			
Auxiliary Power Supply	Magnetic Lock Power		24VDC, 1A, 24W	
	Collimator Lamp Power		24VDC, 1.75A, 42W	
X-ray Switching Frequency	50kHz			
Reproducibility	Coefficient of Variation: kV < 0.005, Time < 0.005, mAs < 0.01, mR < 0.01			
Accuracy	kV < ±(1%+1kV), mA < ±(3%+1mA), Time < ±(1%+0.5ms), mAs < ±(3%+0.1mAs)			
Linearity	Coefficient of Linearity < 0.01 : CL = (X1-X2)/(X1+X2), where X is mR/mAs			

High Frequency X-ray Generator

Generator Model	VXR-EC20	VXR-EC25	VXR-EC32	VXRC-E40
Power Rating	20kW	25kW	32kW	40kW
Line Power	100-120V, 200V-240V~ ±10% (Frequency: 50/60Hz)			
kV Range	40~125kV, 1kV step			
mA Range	10 to 250mA	10 to 320mA	10 to 400mA	10 to 500mA
Timer Range	0.001 to 10 sec, 38 steps			
mAs Range	0.1 to 100mAs			
Max. Power Output	250mA@80kV 200mA@100kV 160mA@125kV	320mA@78kV 250mA@100kV 200mA@125kV	400mA@80kV 320mA@100kV 250mA@125kV	500mA@80kV 400mA@100kV 320mA@125kV
Rotor Supply	Low Speed			
Technique Selection	4 point display(kV, mA, Time, mAs)			
Image Receptors	1 Bucky			
Auxiliary Power Supply	Magnetic Lock Power		24VDC, 1A, 24W	
	Collimator Lamp Power		24VDC, 1.75A, 42W	
X-ray Switching Frequency	50kHz			
Reproducibility	Coefficient of Variation: kV < 0.005, Time < 0.005, mAs < 0.01, mR < 0.01			
Accuracy	kV < ±(1%+1kV), mA < ±(3%+1mA), Time < ±(1%+0.5ms), mAs < ±(3%+0.1mAs)			
Linearity	Coefficient of Linearity < 0.01 : CL = (X1-X2)/(X1+X2), where X is mR/mAs			

X-ray Tube



Tube Model/Maker	DXT-8M / DRGEM	DXT-10M / DRGEM	DXT-11M / DRGEM
Focal Spot Size	1.0/2.0mm	0.6/1.2mm	0.6/1.5mm
Rating(0.1s)	22.5/47kW@60Hz	16/43kW@60Hz	18/50kW@60Hz
Max. Anode HU	140kHU	150kHU	200kHU(142kJ)
Target Angle	16°	12°	14°
Max. kV	125kV	125kV	125kV
Weight	16kg(35.3lbs)	16kg(35.3lbs)	16kg(35.3lbs)
Inherent Filtration	1.0mmAl/75kV	1.0mmAl/75kV	1.0mmAl/75kV
Half Value Layer	More than 2.9mmAl eq. at 80kVp		
Leakage Radiation	Less than 100mR/hr		

Tube Model/Maker	E7239X / Canon	E7242X / Canon
Focal Spot Size	1.0/2.0mm	0.6/1.5mm
Rating(0.1s)	22.5/47kW@60Hz	18/50kW@60Hz
Max. Anode HU	140kHU	200kHU(142kJ)
Target Angle	16°	14°
Max. kV	125kV	125kV
Weight	16kg(35.3lbs)	16kg(35.3lbs)
Inherent Filtration	0.9mmAl/75kV	0.9mmAl/75kV
Half Value Layer	More than 2.9mmAl eq. at 80kVp	
Leakage Radiation	Less than 100mR/hr	

Collimator (DXC-RML)

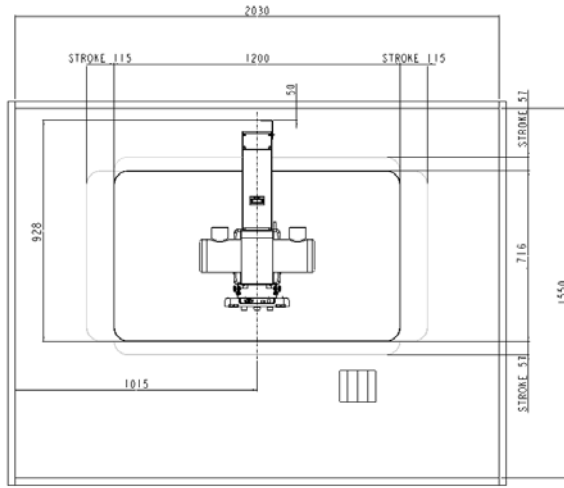
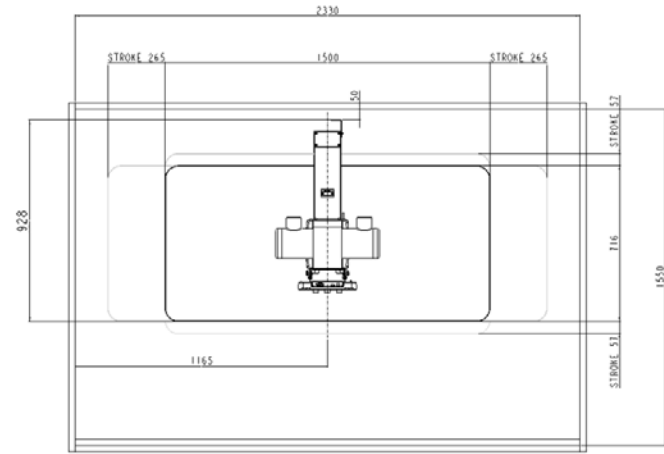
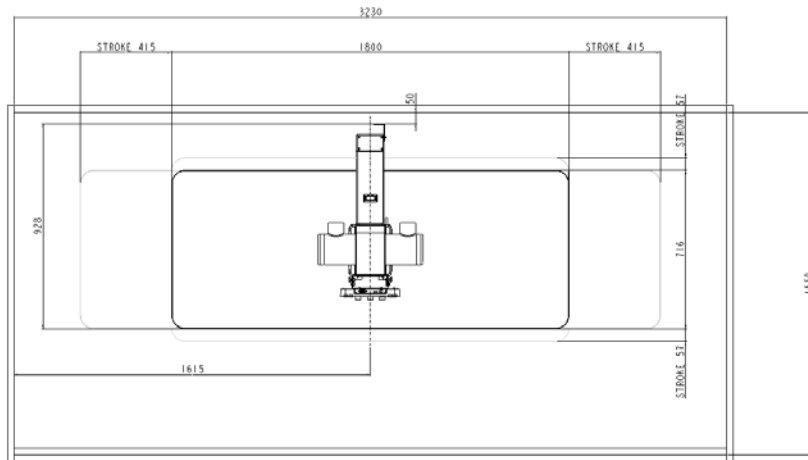
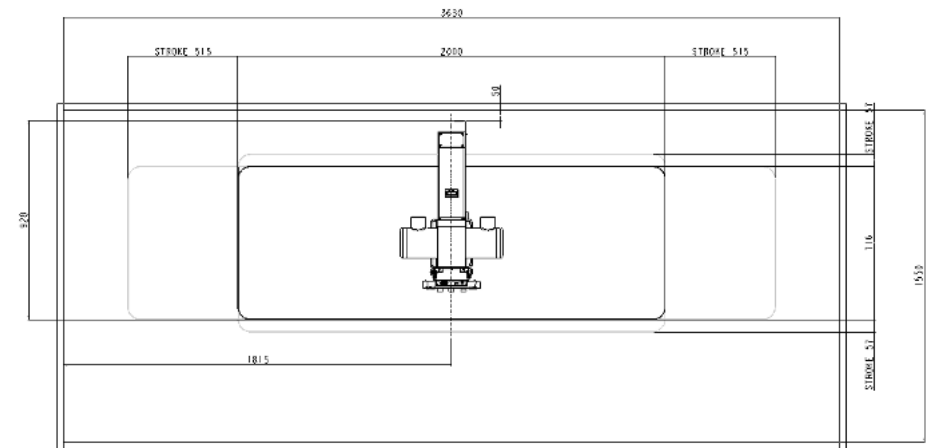


Model	DXC-RML
Manufacturer	DRGEM
Lamp Type	LED lamp
Control	Manual with 30sec. lamp timer
Field Shape	Rectangular
Max. Field Size	More than 43x43cm(17x17inch) at 100cm SID
Leakage Radiation	Less than 40 mR/h
Inherent Filtration	Min. 2.0mmAl eq.
Lamp Luminosity	Over 160LUX at 100cm SID
Standard	Rotating flange with fixing knob
Option	<ul style="list-style-type: none"> Line laser+shutter, Measure tape Near port shutters(Fixed or Moving) Additional filter Mounting flange mechanical detent Accessory guides spring
Electrical Rating	12~45V DC 42VA / 20~30VAC, 42VA – 50/60Hz
Dimension / Weight	196(W) x 250(D) x 173(H) mm / 4.5 kg(10lbs) (with Rotating Flange)

5. Room Layouts

Installation layout

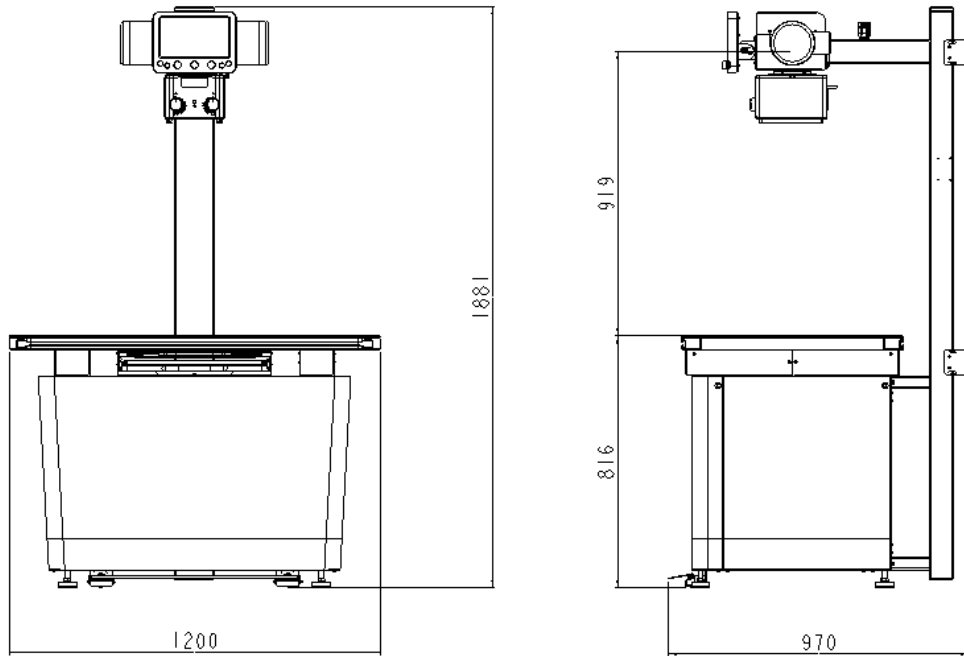
Unit : mm

**Table Top 1,200mm Option****Table Top 1,500mm Option****Table Top 1,800mm Option****Table Top 2,000mm Option**

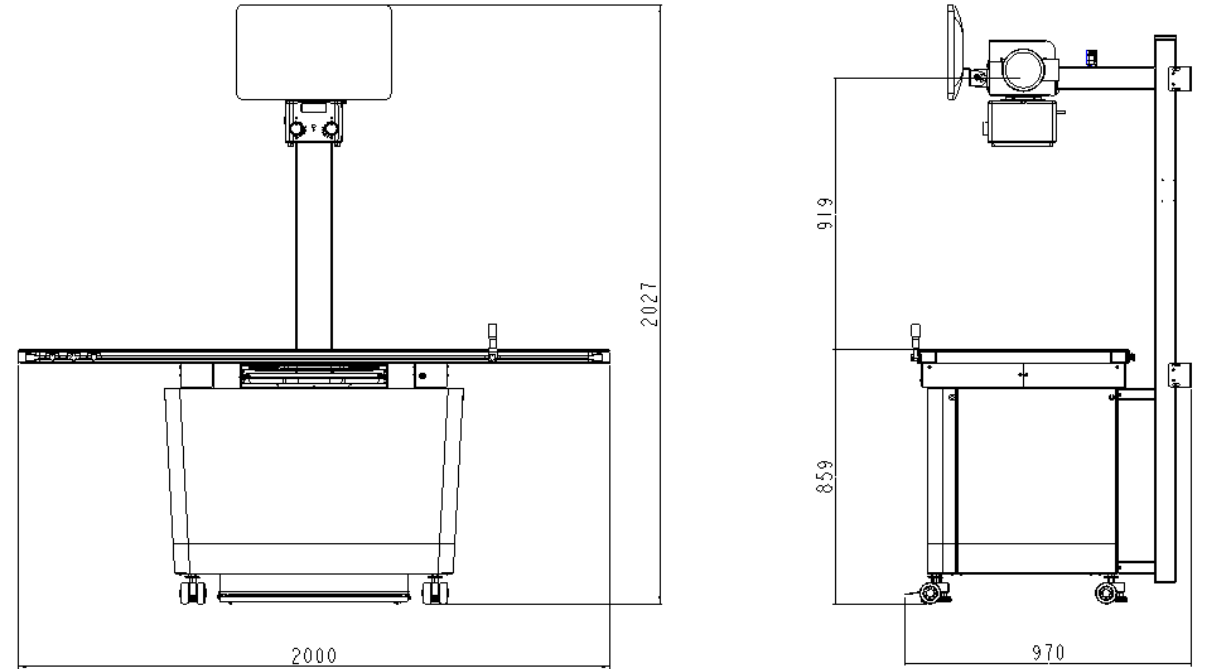
5

Installation layout

Unit : mm



FOOT LEVEL+TOUCH CONSOLE+TABLE TOP 1,200mm_MIN



CASTER+TOUCH MONITOR+TABLE TOP 2,000mm)_MAX

Thank you!

